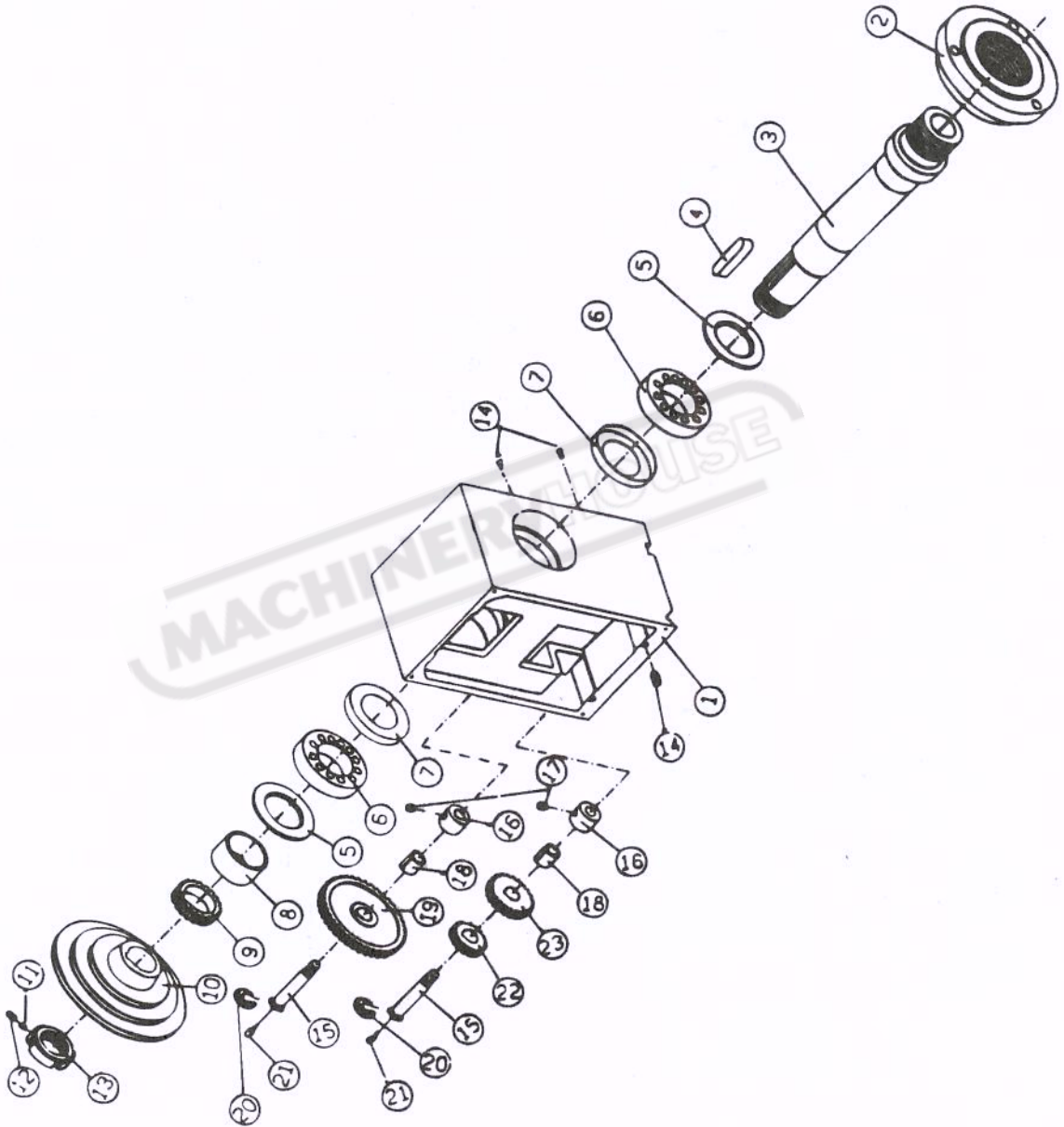


HEAD STOCK

INDEX NO.	PARTS NO.	PARTS NAME	QTY	REMARK
1	1002	Headstock	1	
2	1006	Flange Joint	1	
3	1004	Spindle	1	
4		Key	1	
5	1005	Gasket	2	
6		Bearing	2	2007107
7	1003	Cover	2	
8	1007	Spacing Ring	1	
9	1011	Gear	1	40t
10	1008	Pulley	1	
11	1010	Bush	1	
12		Set Screw	1	M4x6
13	1012	Nut	1	M28
14		Set Screw	4	M4x10
15	1017	Shaft	2	
16	1015	Spacing Ring	2	
17		Set Screw	2	M4x6
18	1016	Bush	2	
19	1014	Gear	1	80t
20	1013	Washer	2	
21		Oil Feeder	2	
22	1018	Gear	1	40t
23	1019	Gear	1	

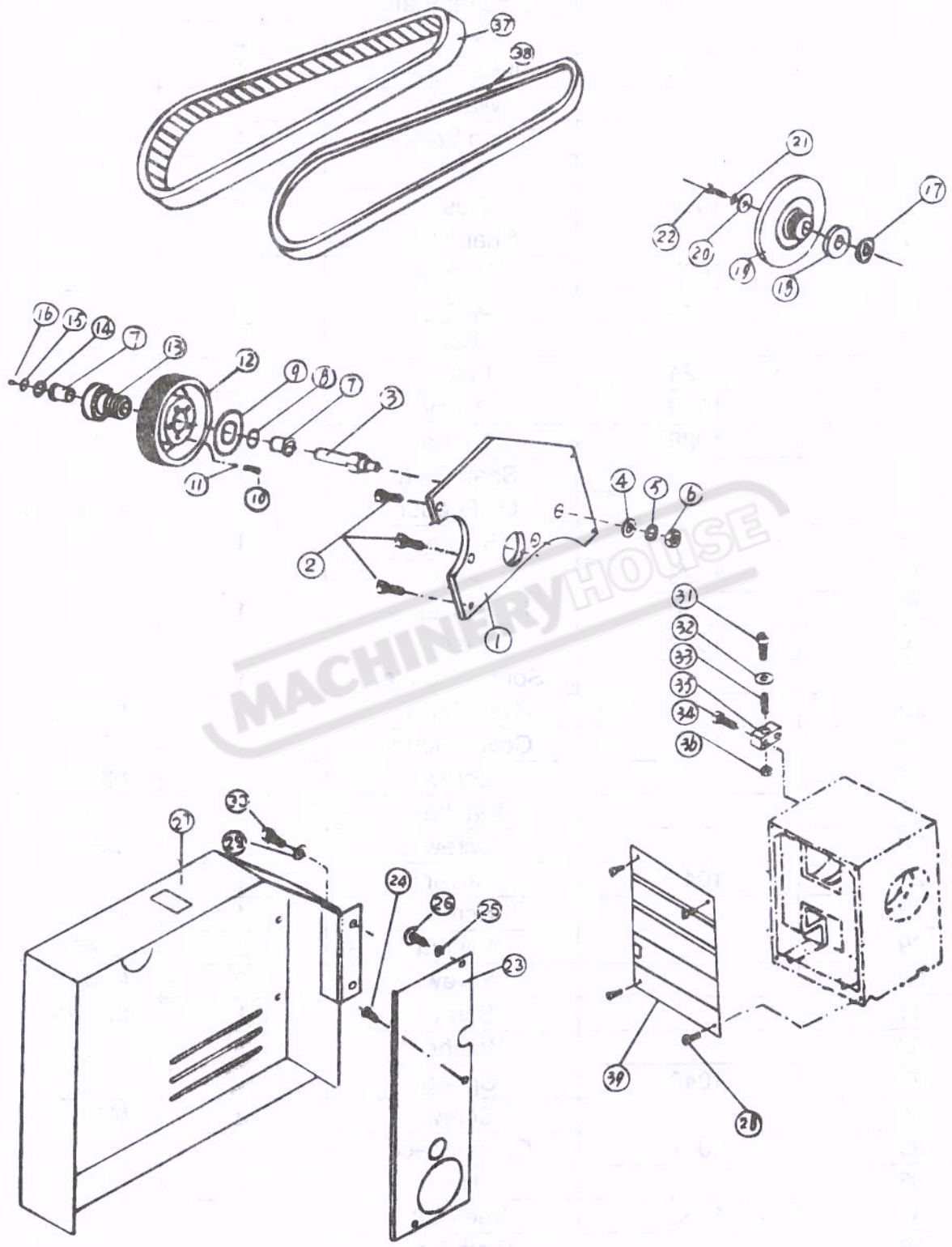
HEADSTOCK



DRIVE

INDEX NO.	PARTS NO.	PARTS NAME	QTY	REMARK
1	1044	Bracket Plate	1	
2		Screw	3	M8x20
3	1026	Belt Pulley Shaft	1	
4		Washer	1	10
5		Spring Washer	1	10
6		Nut	1	Mx10
7	1031	Bush	2	
8		Snap Ring	1	25
9	1027	Washer	5	
10	1025	Spring	5	
11		Ball	5	5
12	1024	Pulley	1	
13	1029	Pulley	1	
14	1028	Washer	1	
15		Snap Ring	1	12
16		Oil Feeder	1	6
17	1021	Spacer	1	
18	1023	Collar	1	
19	1020	Motor Pulley	1	
20	1022	Washer	1	
21		Spring Washer	1	6
22		Cap Screw	1	M6x25
23	1049	Cover Mount	1	
24		Screw	1	M6x12
25		Washer	1	5
26		Screw	1	M5x8
27	1045	Cover	1	
28		Screw	4	M4x10
29		Washer	2	M6
30		Screw	2	M6x10
31		Screw	1	M6x25
32		Washer	1	6
33	1048	Spring	1	
34		Screw	2	M6x20
35	1047	Clamp Piece	1	
36		Nut	1	M6
37	1052	Vee Belt	1	
38		Tooth Belt	1	
39	1001	Plate	1	

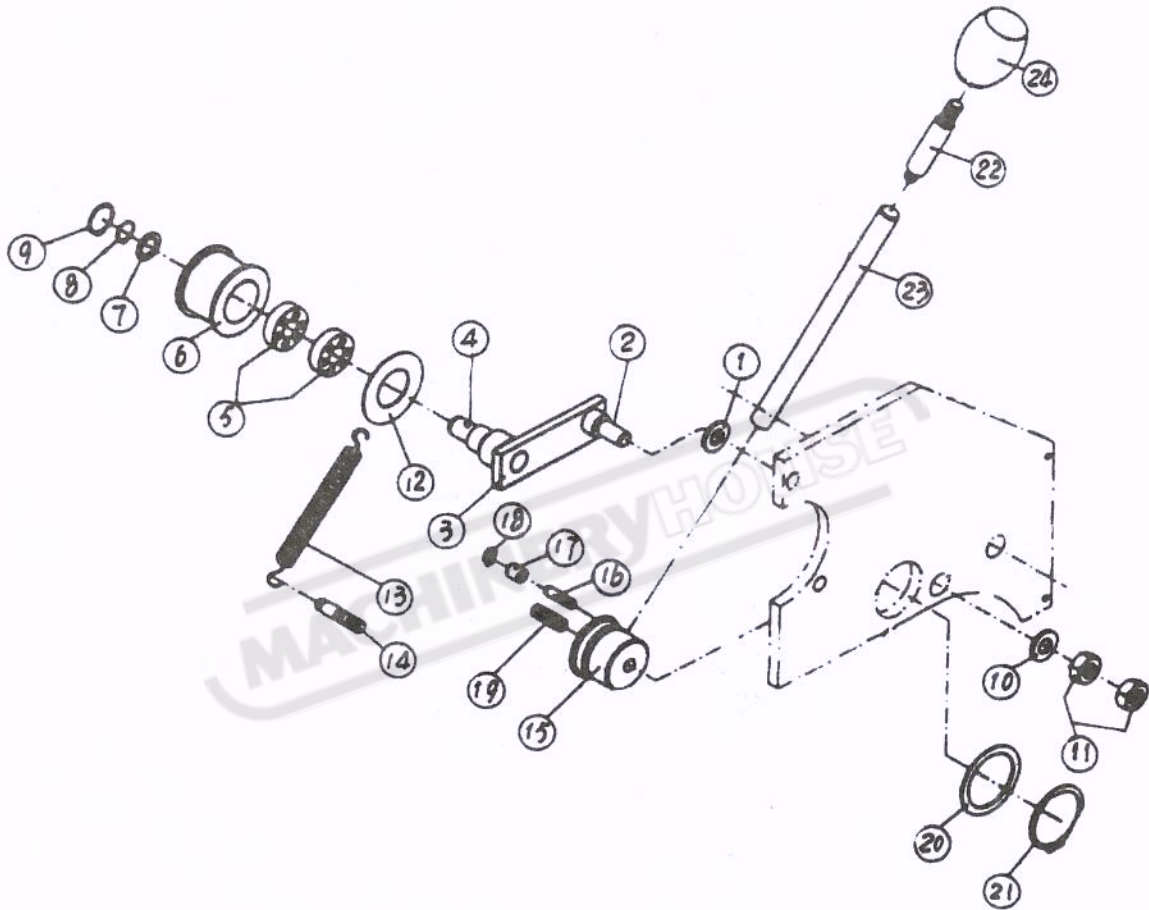
DRIVE



TENSIONING ROLLER

INDEX NO.	PARTS NO.	PARTS NAME	QTY	REMARK
1	1040	Washer	1	
2	1035	Bolt	1	
3	1035-1	Lever Bracket	1	
4	1035-2	Lever	1	
5		Bearing	2	101
6	1039	Roller	1	
7	1038	Washer	1	
8		Snap Ring	1	12
9		Snap Ring	1	28
10		Washer	1	10
11		Nut	2	M10
12	1036	Washer	1	
13	1037	Spring	1	
14	1050	Bolt	1	
15	1032	Toggle	1	
16	1051	Bolt	1	
17	1033	Sleeve	1	
18		Snap Ring	1	6
19		Set Screw	1	M8X12
20	1034	Wave Washer	1	
21		Snap Ring	1	32
22	1042	Lever	1	
23	1043	Lever	1	
24		Knob	1	

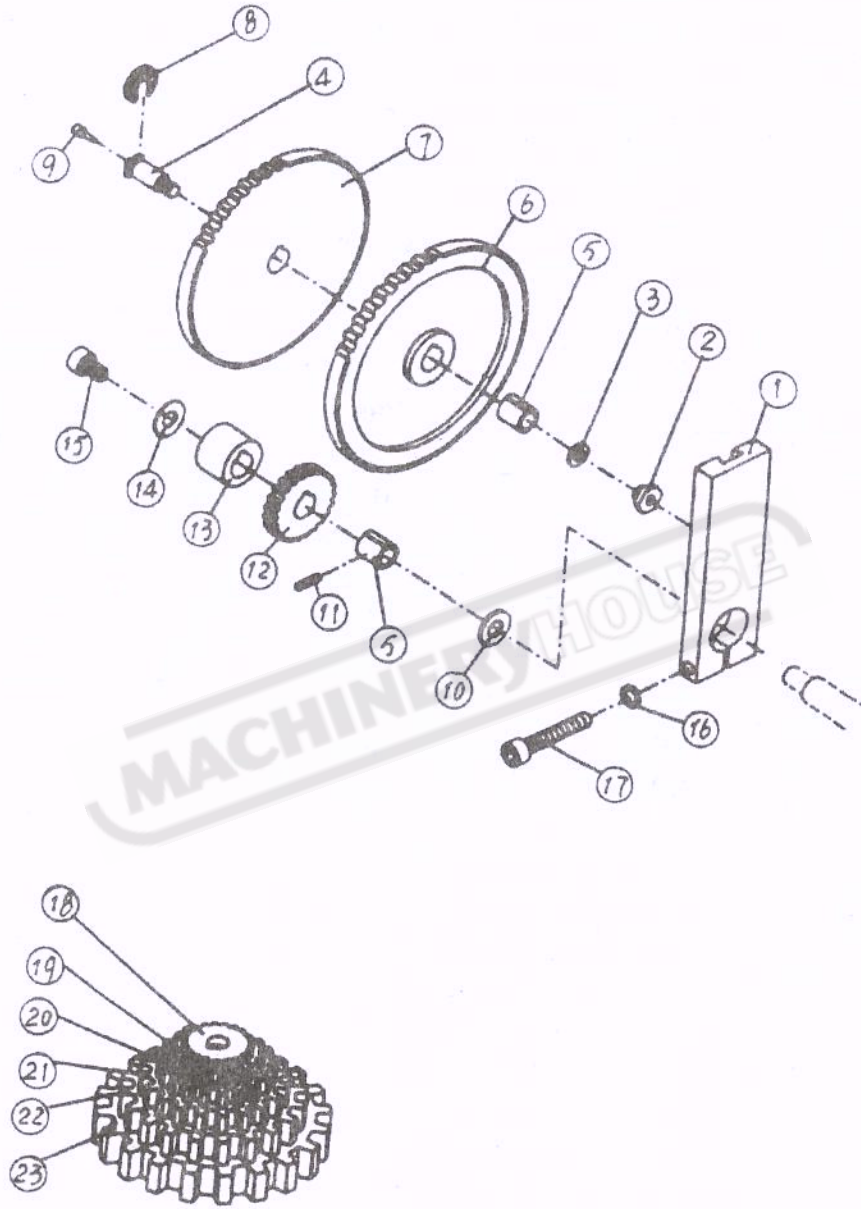
TENSIONING ROLLER



QUADRANT

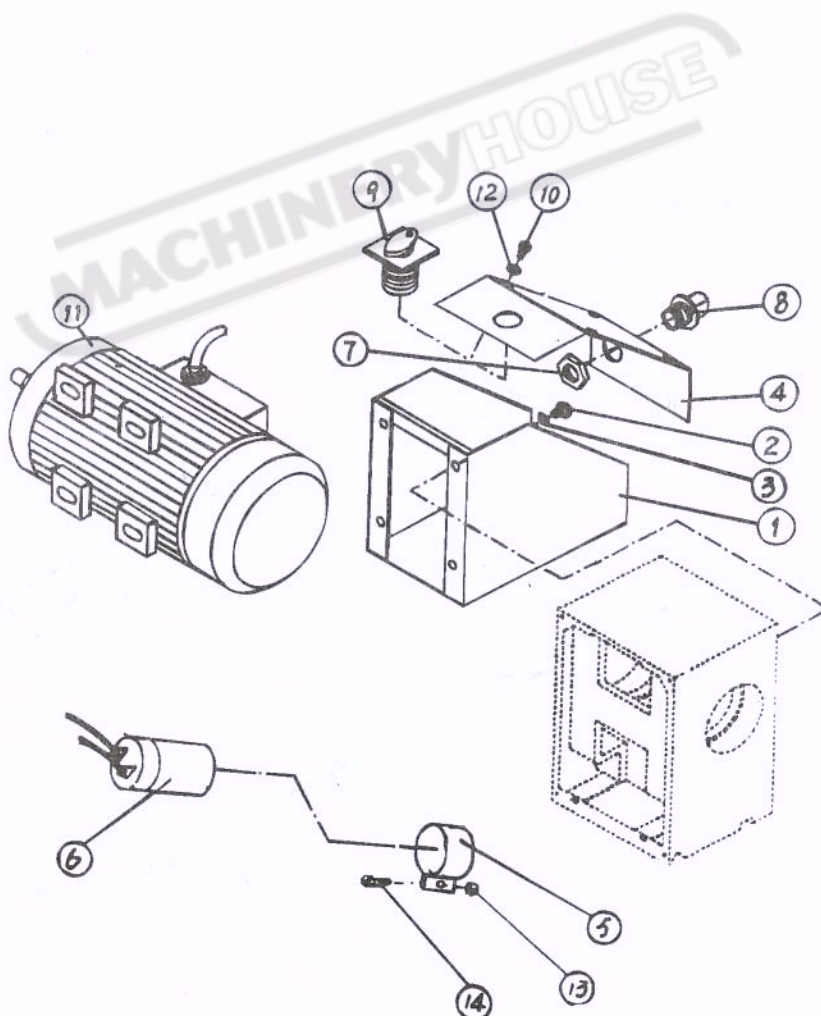
INDEX NO.	PARTS NO.	PARTS NAME	QTY	REMARK
1	2003	Bracket	1	
2	2004	T-Nut	1	
3		Washer	1	6
4	2005	Shaft	1	
5	2009	Bush	2	
6	2001	Gear	1	127T
7	2002	Gear	1	120T
8	2006	Washer	1	
9		Oil Feeder	1	6
10		Washer	1	10
11		Pin	1	∅4X14
12	2007	Gear	2	30T
13	2008	Spacing Ring	1	
14		Washer	1	6
15		Screw	1	M6X10
16		Spring Washer	1	6
17		Screw	1	M6X35
18	2010	Gear	1	28T
19	2011	Gear	1	36T
20	2012	Gear	1	42T
21	2013	Gear	1	45T
22	2014	Gear	1	60T
23	2015	Gear		80T

CUADRANT



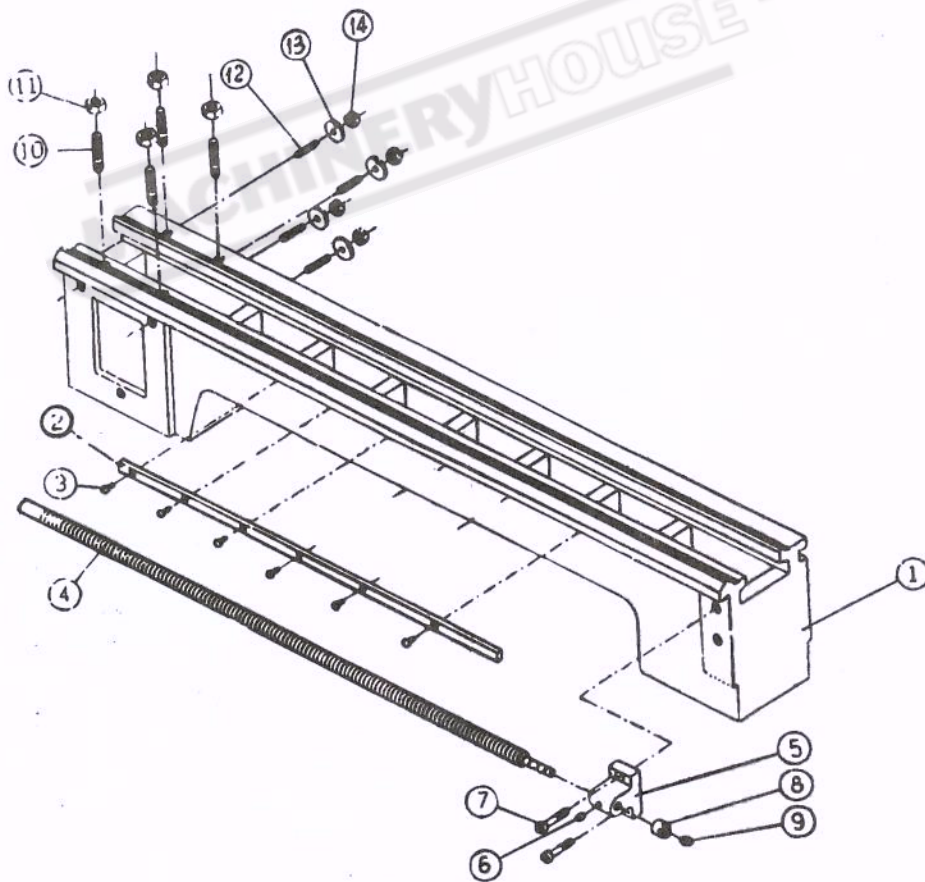
LATHE BED

INDEX NO.	PARTS NO.	PARTS NAME	QTY	REMARK
1	10002	E-Housing	1	
2		Screw	4	
3		Lock Washer	4	
4	10001	Roof	1	
5		Clip	1	
6		Condenser	1	
7		Lock Nut	1	
8		Screw Coup Ling	1	
9		Switch	1	
10		Hexagonal Screw	4	
11		Motor	1	
12		Lock Washer	4	5
13		Nut	1	M5
14		Screw	1	M5x10



LATHE BED

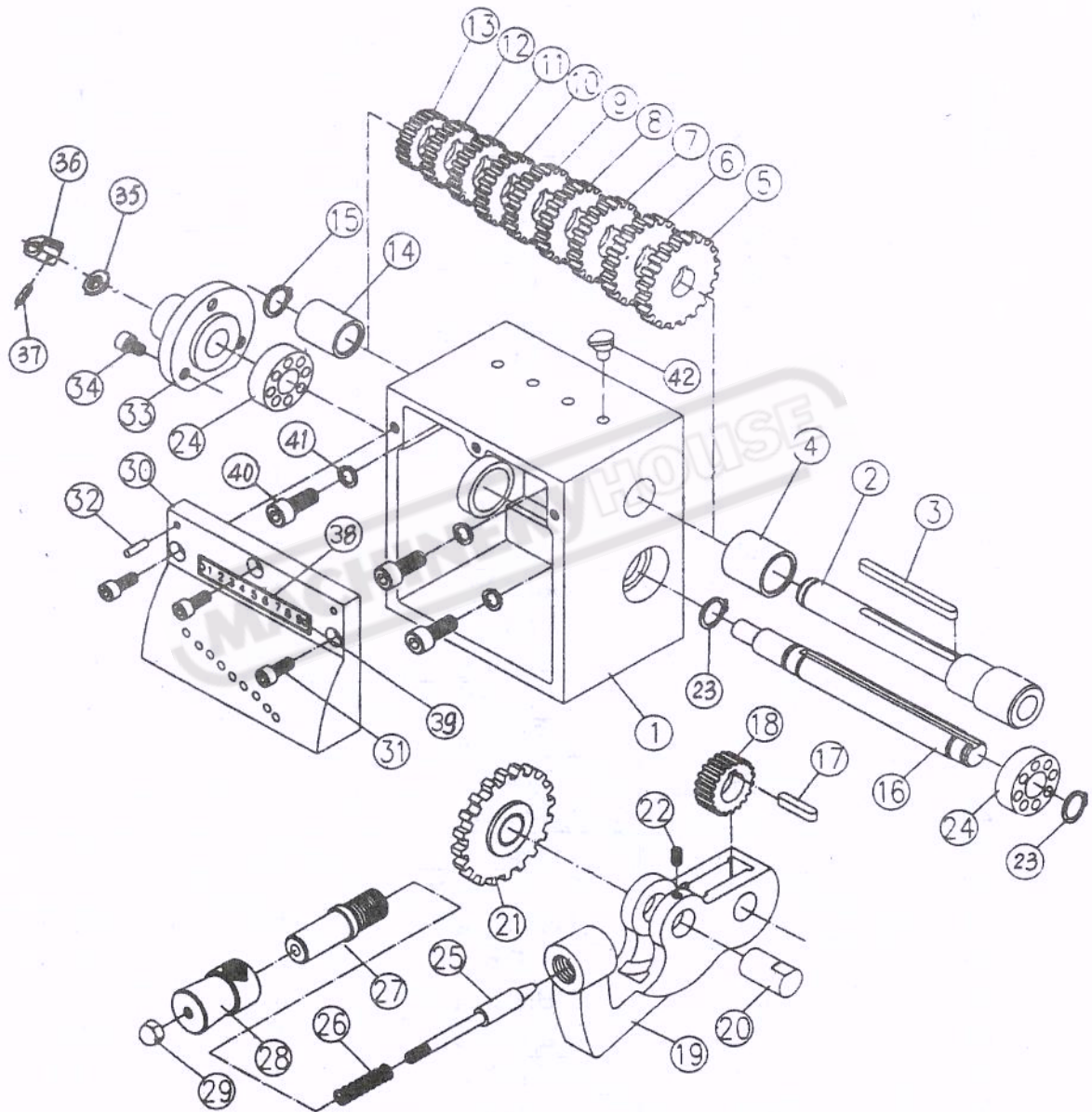
INDEX NO.	PARTS NO.	PARTS NAME	QTY	REMARK
1	7001	Bed	1	
2	7002	Rack	1	
3		Screw	6	M4x8
4	7003	Head Screw	1	
5	7004	Bracket	1	
6		Oil Feeder	1	6
7		Screw	2	M6x20
8	7005	Nut	1	
9		Set Screw	1	M8x6
10		Stud	4	M8x28
11		Nut	4	M8
12		Set Screw	4	M6x25
13		Spring Washer	1	6
14		Nut	4	M6



GEAR BOX

INDEX NO.	PARTS NO.	PARTS NAME	QTY	REMARK
1	3001	Gear Box	1	
2	3009	Shaft	1	
3		Key	1	
4	3019	Bush	1	
5	3018	Gear	1	28T
6	3017	Gear	1	26T
7	3016	Gear	1	24T
8	3015	Gear	1	23T
9	3014	Gear	1	22T
10	3013	Gear	1	20T
11	3012	Gear	1	19T
12	3011	Gear	1	18T
13	3010	Gear	1	16T
14	3025	Bush	1	
15		Snap Ring	1	16
16	3020	Shaft	1	
17		Key	1	
18	3021	Gear	1	16T
19	3002	Arm	1	
20	3007	Shaft	1	
21	3023	Gear	1	36T
22		Set Screw	1	M5X10
23		Snap Ring	2	15
24		Bearing	2	80202
25	3004	Plunger	1	
26	3005	Spring	1	
27	3003	Bush	1	
28	3006	Handle	1	
29		Cap Nut	1	M10
30	3008	Front Cover	1	
31		Cap Screw	3	M6X15
32		Pin	2	∅6X22
33	3022	Bracket	1	
34		Cap Screw	3	M6X10
35		Washer	1	10
36	2009	Bush	1	
37		Pin	1	∅4X14
38	3026	Plate	1	
39		Rivet	2	2X5
40		Cap Screw	3	M8X20
41		Spring Washer	3	8
42		Oil Cup	4	M8X1

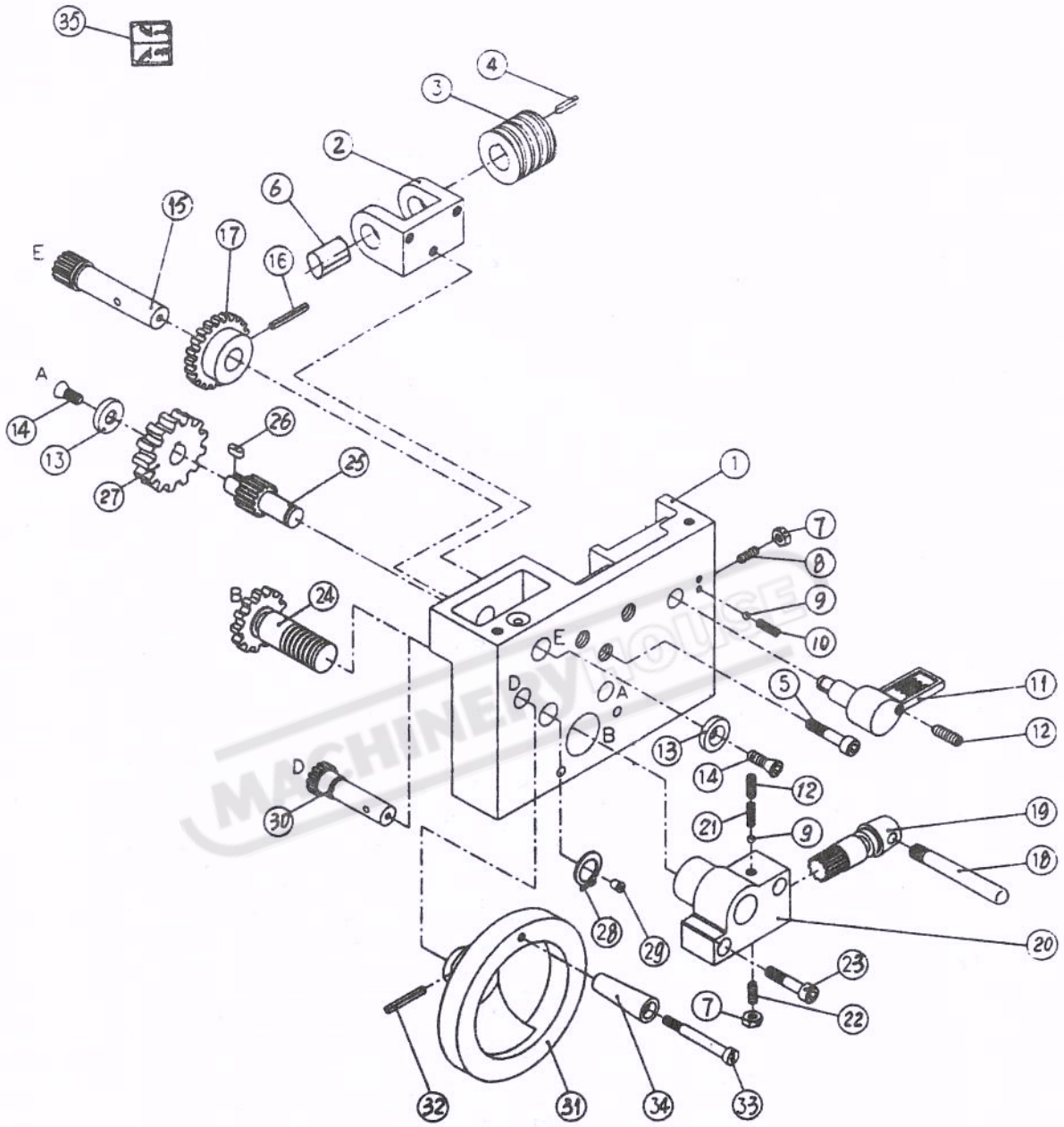
GEAR BOX



APRON

INDEX NO.	PARTS NO.	PARTS NAME	QTY	REMARK
1	4006	Apron Casting	1	
2	4034	Bracket	1	
3	4033	Worm	1	
4		Key	1	3x25
5		Cap Screw	3	M6x25
6		Feed Screw	1	
7		NUT	5	M4
8		Ser Screw	2	M4x12
9		Ball	2	ø5
10	4021	Spring	1	
11	4022	Handle	1	
12		Set Screw	2	M6x6
13	4005	Washer	3	
14		Screw	3	M6x8
15	4008	Gear	1	12T
16		Spring Pin	1	4x30
17	4007	Gear	1	43T
18	4015	Handle	1	
19	4014	Gear	1	13T
20	4013	Bracket	1	
21	4025	Spring	1	
22		Set Screw	1	M4x10
23		Cap Screw	2	M6x30
24	4011	Gear	1	36T
25	4016	Gear	1	18T
26		Key	1	4x5
27	4012	Worm Gear	1	42T
28		Ring	1	14
29		Oil Feeder	2	6
30	4004	Gear	1	17T
31	4003	Hand Wheel	1	
32		Spring Pin	1	4x25
33	4002	Screw	1	
34	4001	Handle	1	
35	4018	Plate	1	

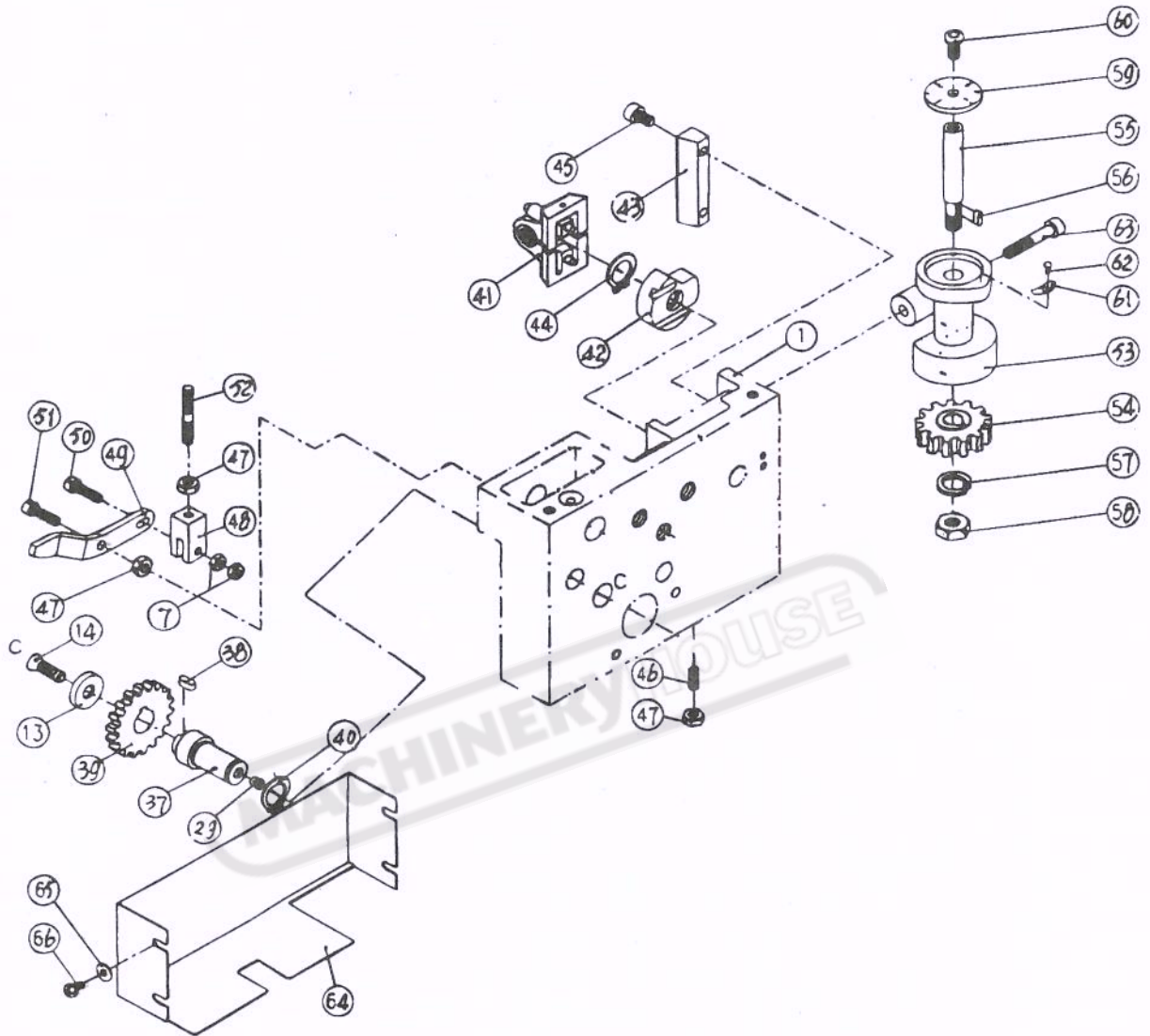
APRON



APRON

INDEX NO.	PARTS NO.	PARTS NAME	QTY	REMARK
37	4009	Shaft	1	
38		Key	3	4x11
39	4010	Gear	1	41T
40		Ring	1	12
41	4017	Half Nut	1	
42	4019	Locking Cam	1	
43	4020	Guide	2	
44		Ring	1	8
45		Cap Screw	5	M4x16
46		Set Screw	5	M5x25
47		Nut	5	M5
48	4030	Control Plate	1	
49	4032	Joint Plate	1	
50		Cap Screw	1	M4x20
51		Cap Screw	1	M5x16
52	4031	Screw	1	
53	4036	Thread Dial Body	1	
54	4029	Worm Gear	1	64T
55	4028	Shaft	1	
56		Key	1	3x10
57		Spring Washer	1	8
58		Nut	1	M8
59	4027	Dial	1	
60		Screw	1	M6x8
61	4024	Pointer	1	
62		Rivet	1	2x5
63	1045	Screw	1	
64	4023	Apron Cover	4	M6x60
65		Washer	2	4
66		Screw	2	M4x8

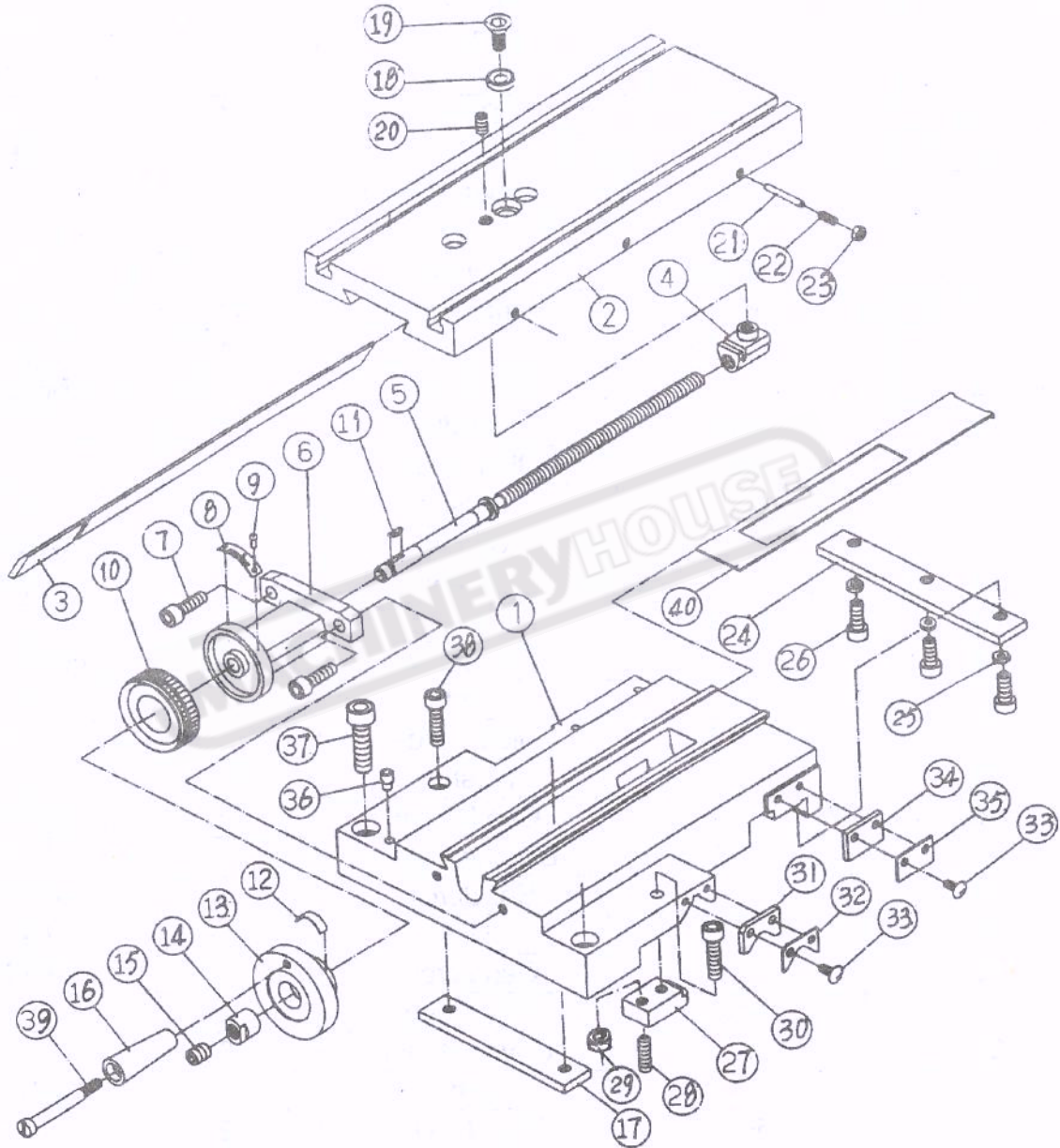
APRON



SADDLE AND CROSS SLIDE

INDEX NO.	PARTS NO.	PARTS NAME	QTY	REMARK
1	5005	SADDLE	1	
2	5006	Cross Slide	1	
3	5002	Gib	1	
4	5036	Nut	1	
5	5018	Lead Screw	1	
6	5019	Bracket	1	
7		Screw	2	M6X15
8	5026	Plate	1	
9		Rive	2	2X5
10	5020	Graduated Ring	1	
11		Key	1	3X13
12	5023	Spring	1	
13	5021	Hand Wheel	1	
14	5022	Nut	1	
15		Set screw	1	M8X6
16	5025	Handle	1	
17	5003	Slide Guide	1	
18	5037	Bush	1	
19		Screw	1	M6X12
20		Screw	1	M4X8
21	5001	Pin	3	
22		Set Screw	3	M4X12
23		Nut	3	M4
24	5016	Slide Guide	1	
25		Washer	3	6
26		Cap Screw	3	M6X15
27	5017	Binding Piece	1	
28		Set Screw	1	M6X20
29		Nut	1	M6
30		Cap screw	1	M6X25
31	5042	Way Cover	2	
32	5041	Cover Mount	2	
33		Screw	8	M4X6
34	5040	Way Cover	2	
35	5039	Cover Mount	2	
36		Oil Feeder	1	6
37		Cap Screw	2	M8X30
38		Cap Screw	2	M6X25
39	5024	Screw	1	
40	5038	Cover Mount	1	

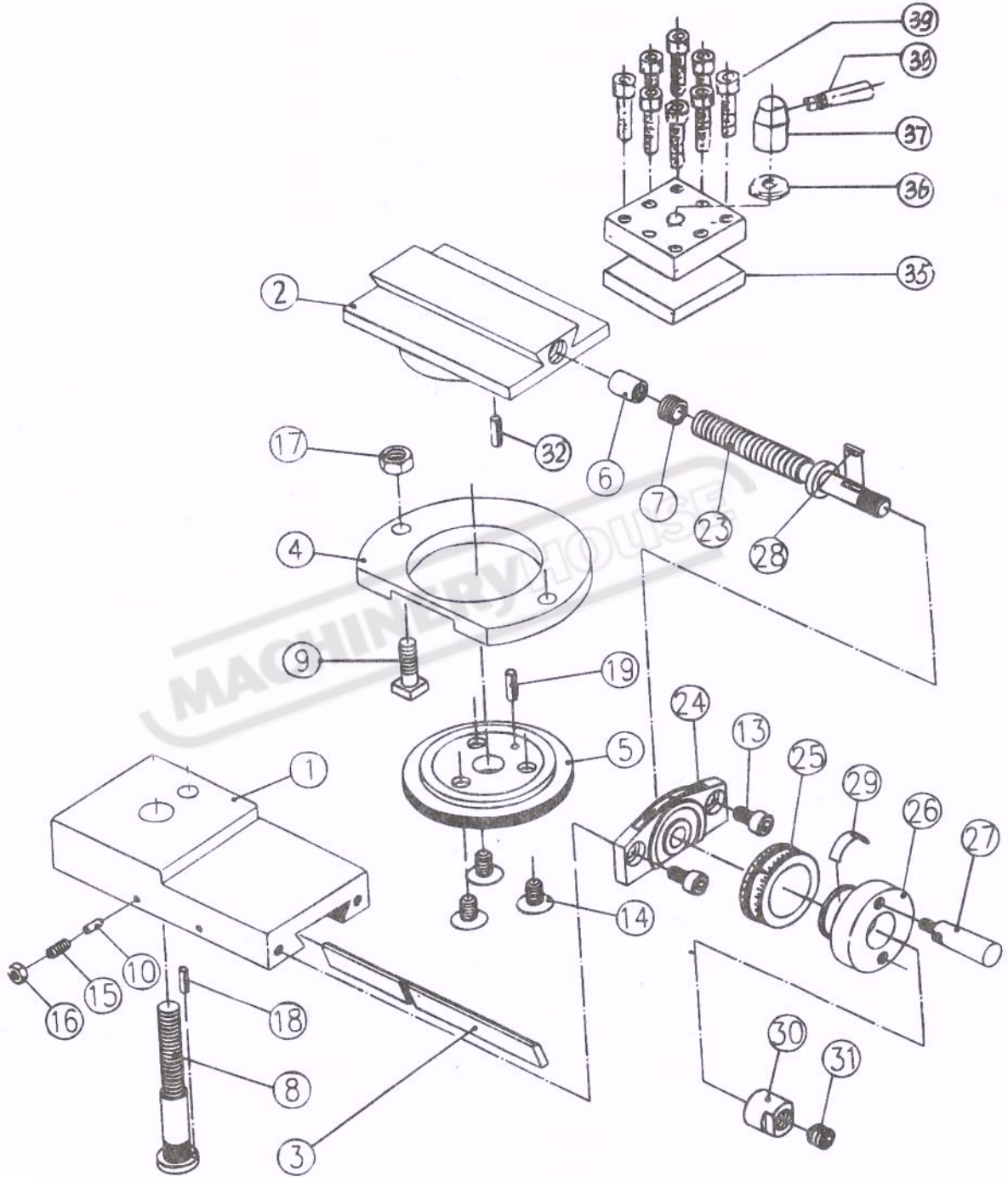
SADDLE AND CROSS SLIDE



DRIVE

INDEX NO.	PARTS NO.	PARTS NAME	QTY	REMARK
1	5011	Longitudinal Slide	1	
2	5010	Swivel Base	1	
3	5028	Gib	1	
4	5008	Clamping Ring	1	
5	5009	Micromter Pan	1	
6	5013	Lead Screw Nut	1	
7	5014	Adjusing Screw	1	
8	5033	Screw	1	
9	5007	T-Cap Screw	2	
10	5027	Pin	3	
13		Flat Head Screw	2	M5x10
14		Flat Head Screw	3	M6x12
15		Set Screw	3	M4x10
16		Nut	3	M4
17		Nut	2	M6
18		Lock Pin	1	3x8
19		Lock Pin	1	3x14
23	5012	Lead Screw	1	
24	5043	Lead Screw Mount	1	
25	5004	Micrometer Collar	1	
26	5031	Handwheel	1	
27	5015	Handle	2	
28		Key	1	3x13
29	5023	Feed Spring	1	
30	5022	Nut	1	
31		Set Screw	1	M8 x6
32		Lock Pin	1	3x12
35	S5033	Tool Post	1	
36	S2100	S-Washer	1	
37	S5031	Hand Nut	1	
38	S5015	Handle	1	
39	S0051	S-Screw	8	M8 x 30

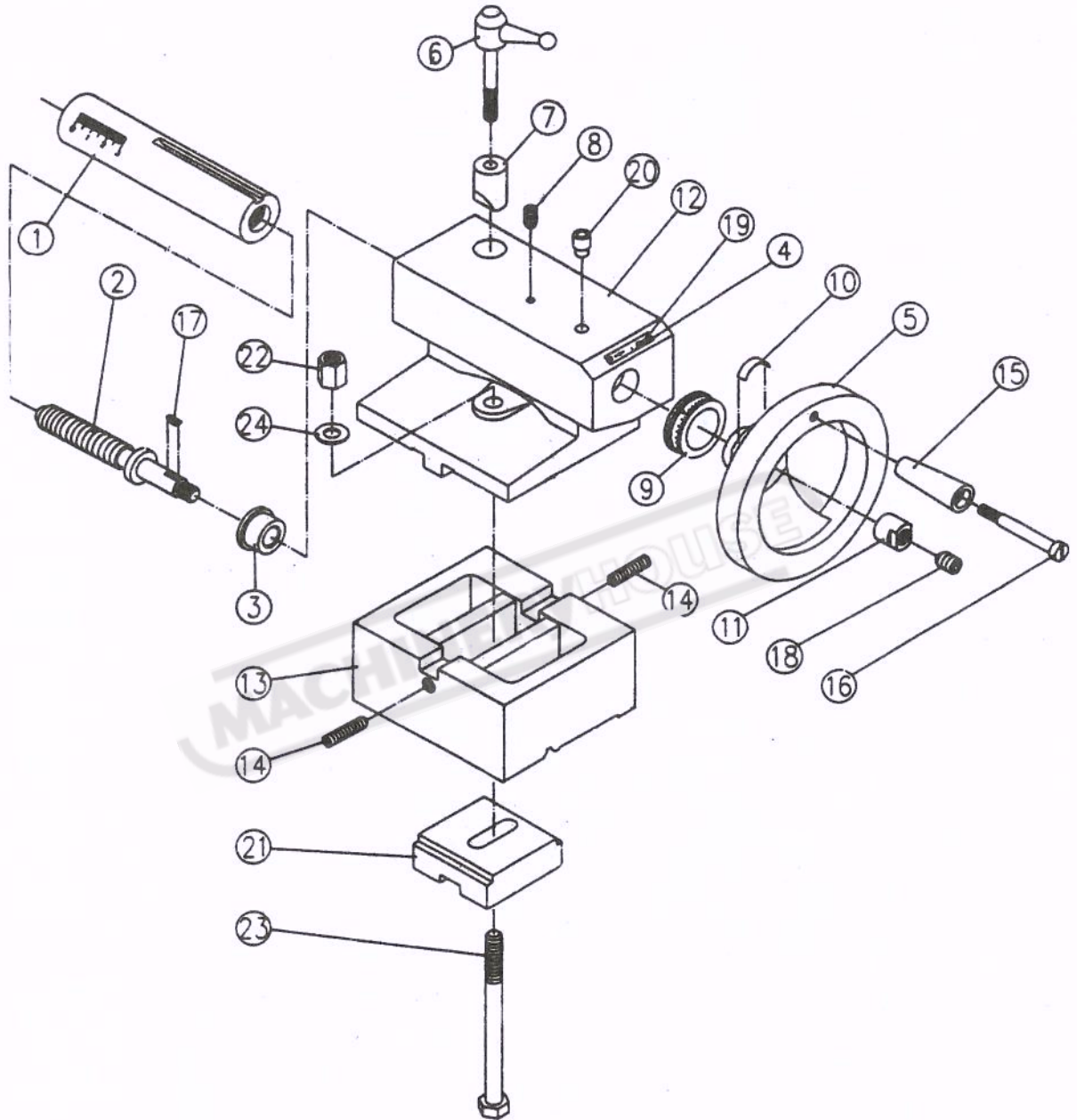
TOP SLIDE



DRIVE

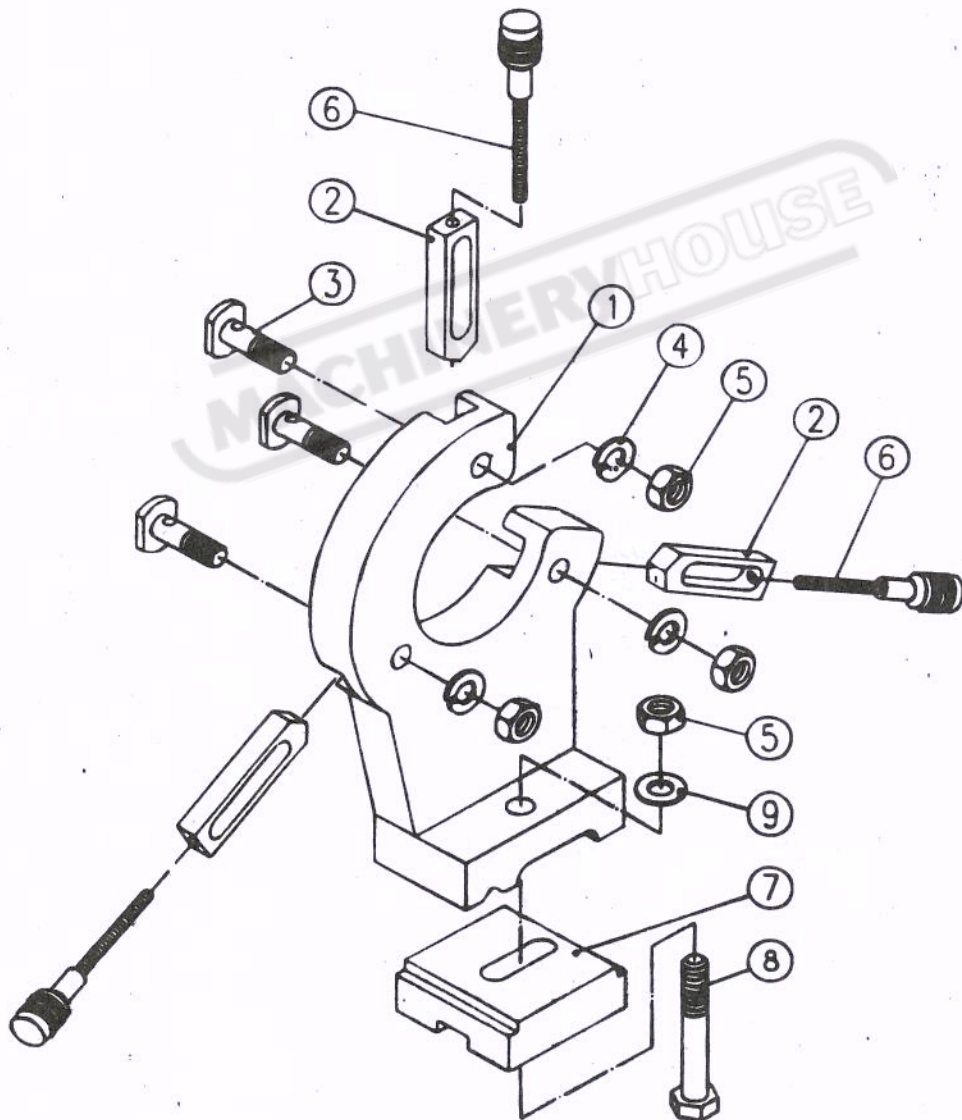
INDEX NO.	PARTS NO.	PARTS NAME	QTY	REMARK
1	8009	Tailstock Ram	1	
2	8010	Lead Screw	1	
3	8011	Bushing	1	
4	8012	Plate	1	
5	8013	Handwheel	1	
6	8008	Lever	1	
7	8001	Clamp	1	
8		Guide Pin	1	M5x10
9	8016	Micrometer Collar	1	
10	5023	Feed Spring	1	
11	8014	Nut	2	M8
12	8005	Tailstock	1	
13	8002	Tailstock Base	1	
14		Set Screw	2	M8x25
15	4001	Handle	1	
16	4002	Screw	1	
17		Key	1	3x13
18		Set Screw	1	M8x8
19		Rivet	2	
20		Oil Feeder	1	6
21	8015	Clamping Plate	2	
22	8006	Nut	1	M8
23	8007	Screw	1	
24		Washer	1	8

TAIL STOCK



TRAVELLING STEADY REST

INDEX NO.	PARTS NO.	PARTS NAME	QTY	REMARK
1	F.001	Rest Casting	1	
2	F.002	Jaw	2	
3	F.003	Screw	2	
4		Spring Washer	2	8
5		Nut	2	M8
6	F.004	Adjust Screw	2	
7	F.005	Clamping Plate	2	
8		Hexagonal Screw	2	M8x60
9		Washer		8



TRAVELLING STEADY REST

INDEX NO.	PARTS NO.	PARTS NAME	QTY	REMARK
1	F ₂ 001	Rest Casting	1	
2	F ₂ 002	Jaw	2	
3	F ₂ 003	Screw	2	
4	F ₂ 004	Adjust Screw	2	
5		Nut	2	M8
6		Spring Washer	2	8
7		Cap Screw	2	M8x30
8		Washer	2	6

